

Rev.	#	Date	Description

SCENIC ROAD PROTECTION STRUCTURE

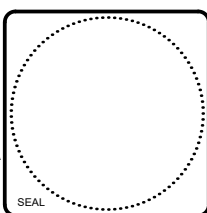
TYPICAL SECTIONS - SHEET 3

Designed by:	Drawn by:	Reviewed by:	Submitted by:
Date:	M&N Project No.	Drawing code:	Drawing Scale:

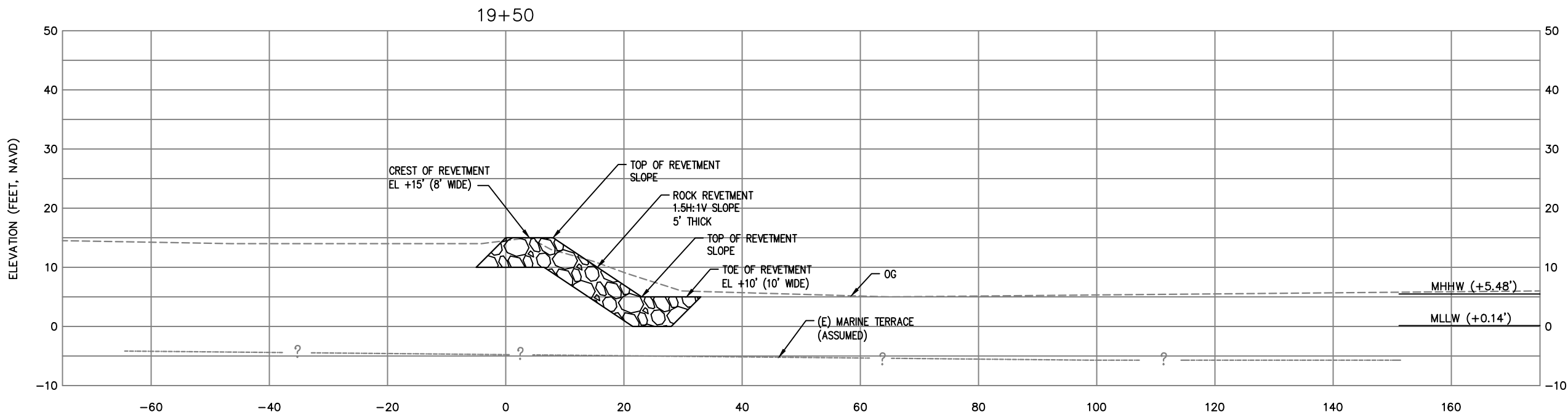
2185 N. CALIFORNIA BLVD.
SUITE #500
WALNUT CREEK, CA 94598

moftatt & nichol

MONTEREY COUNTY
168 WEST ALSAL STREET
SALINAS, CA 93901



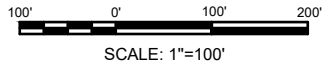
Sheet Reference No.
C-05
INDEX: 6 OF 8



E SECTION - STA 19+50
SCALE: 1" = 10'

NOTES

- EXISTING TOPOGRAPHY DATED NOV 27, 2012 BY WHITSON ENGINEERS (MONTEREY, CA) BASED ON AERIAL TOPOGRAPHIC SURVEY BY AERIAL PHOTOMAPPING SERVICES (CLOVIS, CA) ON AUG 29, 2012.



PRELIMINARY DESIGN
ISSUED: JUNE 7, 2022
NOT TO BE USED FOR CONSTRUCTION